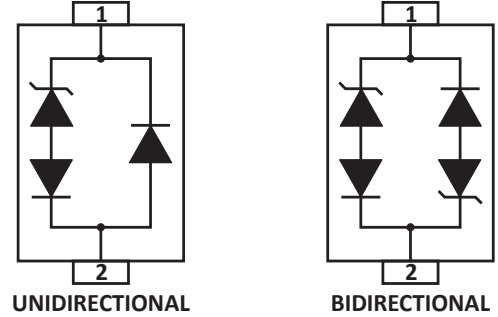


DESCRIPTION

The GBLCxxI and GBLCxxCI Series are ultra low capacitance transient voltage suppressor arrays, designed to protect applications such as portable electronics and SMART phones. This series is available in both unidirectional and bidi-rectional configurations and is rated at 250W for an 8/20µs waveshape.

The GBLCxxI and GBLCxxCI Series meets IEC 61000-4-2 (ESD) and IEC 61000-4-4 (EFT) requirements. At higher operat-ing frequencies or faster edge rates, insertion loss and signal integrity are a major concern. This series offers a ultra low capacitance and low leakage current in a miniature SOD-323 package.



FEATURES

- Compatible with IEC 61000-4-2 (ESD): Air - 15kV, Contact - 8kV
Exceeds Level 4: Handles 10kV Contact & 25kV Air Discharge
- Compatible with IEC 61000-4-4 (EFT): 40A - 5/50ns
250W Peak Pulse Power per Line (tp = 8/20µs)
- Replacement for MLV (0805)
- Unidirectional & Bidirectional Configurations
- Protects One Power or I/O Port
- ESD Protection > 25kV
- Low Clamping Voltage
- Available in Multiple Voltages Ranging From 3V to 24V
- Ultra Low Capacitance: 0.6pF (Typical)
- RoHS Compliant
- REACH Compliant

APPLICATIONS

- Ethernet 10/100/1000 Base T
- SMART Phones
- Handheld - Wireless Systems
- USB Interface

MACHANICAL DATA

- Molded JEDEC SOD-323 Package
- Approximate Weight: 5 milligrams
- Lead-Free Pure-Tin Plating (Annealed)
- Solder Reflow Temperature:
Pure-Tin - Sn, 100: 260-270°C
- 8mm Tape and Reel Per EIA Standard 481
- Flammability Rating UL 94V-0
- Patent Pending

TYPICAL DEVICE CHARACTERISTICS

MAXIMUM RATINGS @ 25°C Unless Otherwise Specified

PARAMETER	SYMBOL	VALUE	UNITS
Peak Pulse Power (tp = 8/20µs) - See Figure 1	P _{PP}	250	W
Operating Temperature	T _A	-55 to 150	°C
Storage Temperature	T _{STG}	-55 to 150	°C

ELECTRICAL CHARACTERISTICS PER LINE @ 25°C Unless Otherwise Specified

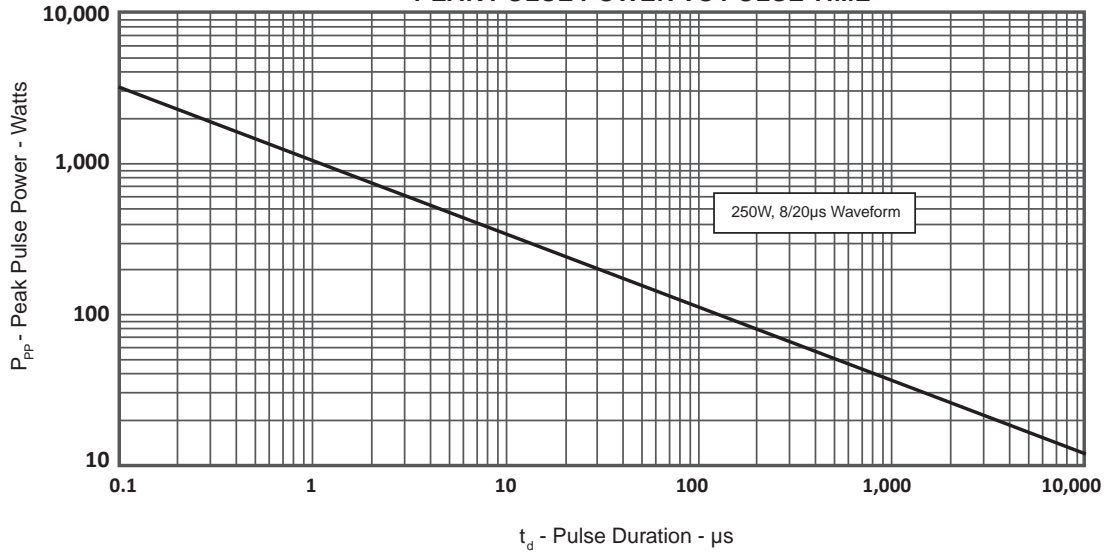
PART NUMBER (Note 1-2)	RATED STAND-OFF VOLTAGE	MINIMUM BREAKDOWN VOLTAGE	MAXIMUM CLAMPING VOLTAGE (Fig. 2)	MAXIMUM LEAKAGE CURRENT	TYPICAL CAPACITANCE
	V_{WM} VOLTS	@ 1mA $V_{(BR)}$ VOLTS	@ IP = 1A V_C VOLTS	@ V_{WM} I_D μA	@ 0V, 1MHz C pF
GBLC03I	3.0	4.0	7.0	5	0.6
GBLC03CI	3.0	4.0	7.0	5	0.6
GBLC05I	5.0	6.0	9.8	5	0.6
GBLC05CI	5.0	6.0	9.8	5	0.6
GBLC08I	8.0	8.5	13.4	2	0.6
GBLC08CI	8.0	8.5	13.4	2	0.6
GBLC12I	12.0	13.3	19.0	1	0.6
GBLC12CI	12.0	13.3	19.0	1	0.6
GBLC15I	15.0	16.7	24.0	1	0.6
GBLC15CI	15.0	16.7	24.0	1	0.6
GBLC18I	18.0	20.0	29.0	1	0.6
GBLC18CI	18.0	20.0	29.0	1	0.6
GBLC24I	24.0	26.7	43.0	1	0.6
GBLC24CI	24.0	26.7	43.0	1	0.6

NOTES

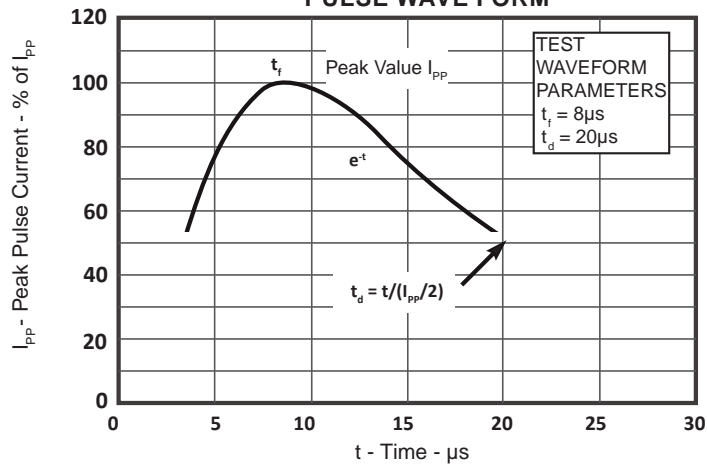
1. Part numbers with an additional "C" suffix are bidirectional devices, i.e., GBLC05CI.
2. Unidirectional Only: Positive potential is applied from pin 1 to 2.

TYPICAL DEVICE CHARACTERISTICS

**FIGURE 1
PEAK PULSE POWER VS PULSE TIME**

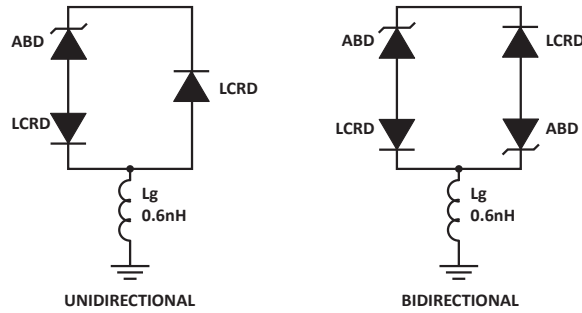


**FIGURE 2
PULSE WAVE FORM**



SPICE MODEL

**FIGURE 1
SPICE MODEL**

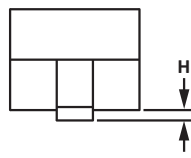
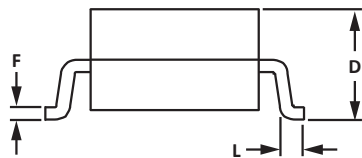
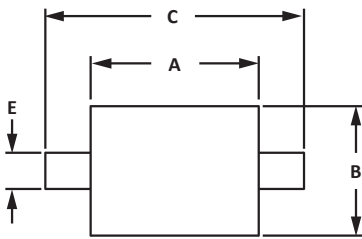


ABD - Avalanche Breakdown Diode (TVS)
LCRD: Low Capacitance Rectifier Diode
Lg - Lead Inductance

PARAMETER	UNIT	ABD(TVS)	LCRD
BV	V	See Table 2	100
IBV	μ A	1	0.5
C _{j0}	pF	See Table 2	0.3
I _s	A	See Table 2	1E-11
V _j	V	0.6	0.6
M	-	0.33	0.33
N	-	1	1
R _s	Ohms	See Table 2	0.75
TT	s	1E-8	1E-9
EG	eV	1.11	1.11

PART NUMBER	B _v (VOLTS)	C _{j0} (pF)	I _s (AMPS)	Rs(OHMS)
GBLC03I	4.0	200	1E-11	0.22
GBLC05I	6.0	140	1E-11	0.18
GBLC08I	8.5	67	1E-11	0.12
GBLC12I	13.3	55	1E-13	1.10
GBLC15I	16.7	47	1E-13	1.43
GBLC18I	20.0	40	1E-13	2.30
GBLC24I	26.7	28	1E-13	4.24
GBLC03CI	4.0	200	1E-11	0.22
GBLC05CI	6.0	140	1E-11	0.18
GBLC08CI	8.5	67	1E-11	0.12
GBLC12CI	13.3	55	1E-13	1.10
GBLC15CI	16.7	47	1E-13	1.43
GBLC18CI	20.0	40	1E-13	2.3
GBLC24CI	26.7	28	1E-13	4.24

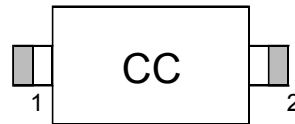
SOD-323 PACKAGE OUTLINE DIMENSIONS



OUTLINE DIMENSIONS				
DIM	MILLIMETERS		INCHES	
	MIN	MAX	MIN	MAX
A	1.60	1.90	0.063	0.075
B	1.15	1.45	0.045	0.057
C	2.39	2.70	0.094	0.106
D	0.80	1.10	0.031	0.043
E	0.25	0.40	0.010	0.016
F	0.10	0.20	0.004	0.008
H	-	0.10	-	0.004
L	0.20	-	0.008	-

NOTES
 1. Controlling dimension: millimeters.
 2. Dimensioning and tolerances per ANSI Y14.5M, 1985.
 3. Dimensions are exclusive of mold flash and metal burrs.

Marking



Ordering information

Order code	Marking code	Package	Baseqty	Deliverymode
GBLC03I-LF-T7	C	SOD-323	3000	Tape and reel
GBLC03CI-LF-T7	CC	SOD-323	3000	Tape and reel
GBLC05I-LF-T7	A	SOD-323	3000	Tape and reel
GBLC05CI-LF-T7	AC	SOD-323	3000	Tape and reel
GBLC08I-LF-T7	B	SOD-323	3000	Tape and reel
GBLC08CI-LF-T7	BC	SOD-323	3000	Tape and reel
GBLC012I-LF-T7	D	SOD-323	3000	Tape and reel
GBLC012CI-LF-T7	DC	SOD-323	3000	Tape and reel
GBLC015I-LF-T7	E	SOD-323	3000	Tape and reel
GBLC015CI-LF-T7	EC	SOD-323	3000	Tape and reel
GBLC018I-LF-T7	F	SOD-323	3000	Tape and reel
GBLC018CI-LF-T7	FC	SOD-323	3000	Tape and reel
GBLC024I-LF-T7	H	SOD-323	3000	Tape and reel
GBLC024CI-LF-T7	HC	SOD-323	3000	Tape and reel