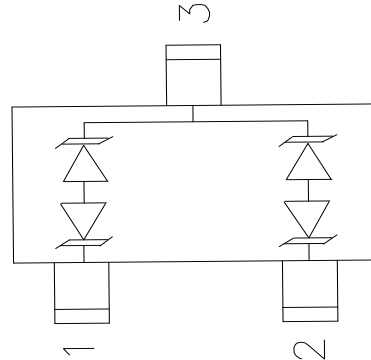


Features

- 150W peak pulse power(8/20μs)
- Ultra low leakage: nA level
- Operating voltage: 7V or 12V
- Low clamping voltage
- Complies with following standards:
 - IEC 61000-4-2 (ESD) immunity test
Air discharge: ±30kV
Contact discharge: ±30kV
 - IEC61000-4-4 (EFT) 40A (5/50ns)
 - IEC61000-4-5 (Lightning) 7A (8/20μs)
- RoHS Compliant



Applications

- Wireless System
- Networks
- Portable Instrumentation
- RS485 Ports

Mechanical Characteristics

- Package: SOT-23
- Lead Finish: Matte Tin
- Case Material: “Green” Molding Compound.
- UL Flammability Classification Rating 94V-0
- Moisture Sensitivity: Level 3 per J-STD-020
- Terminal Connections: See Diagram Below

Absolute Maximum Ratings (Tamb=25°C unless otherwise specified)

Parameter	Symbol	Value	Unit
Peak Pulse Power(8/20μs)	Ppk	150	W
Peak Pulse Current(8/20μs)	IPP	7	A
ESD per IEC 61000-4-2 (Air)	VESD	±30	kV
ESD per IEC 61000-4-2 (Contact)		±30	
Operating Temperature Range	TJ	-55 to +125	°C
Storage Temperature Range	Tstg	-55 to +150	°C

Electrical Characteristics (TA=25°C unless otherwise specified)

Parameter	Symbol	Pin 1 to 3 and 2 to 3(12V TVS)			Pin 3to 1 and 3 to 2(7V TVS)			Unit	Test Condition
		Min	Typ	Max	Min	Typ	Max		
Reverse Working Voltage	VRWM			12			7	V	
Breakdown Voltage	VBR	13.3			7.5			V	IT = 1mA
Reverse Leakage Current	IR		0.01	0.5		0.01	0.5	µA	VR = VRWM
Clamping Voltage	VC			19			11	V	I _{PP} = 1A (8 x 20µs pulse)
Clamping Voltage	VC			25			15	V	I _{PP} = 7A (8 x 20µs pulse)
Junction Capacitance	CJ			75			75	pF	VR=0, f=1MHz
Junction Capacitance	CJ		45			45		pF	VR=VRWM, f=1MHz

Typical Characteristics

Fig1. 8/20μs Pulse Waveform

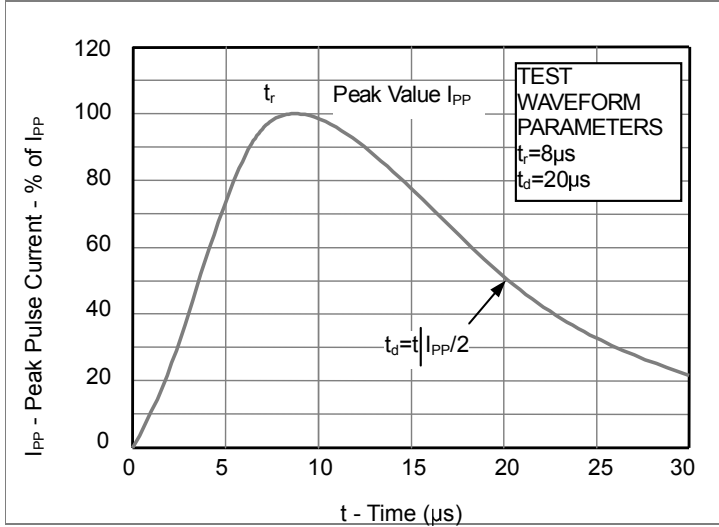


Fig2. ESD Pulse Waveform (according to IEC 61000-4-2)

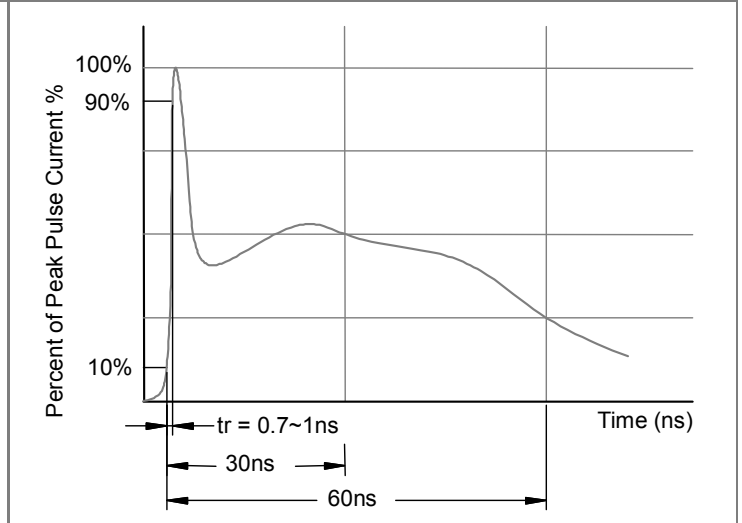
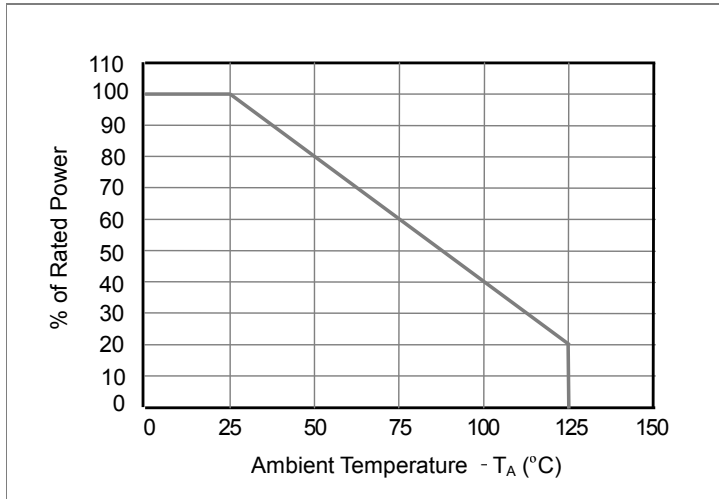
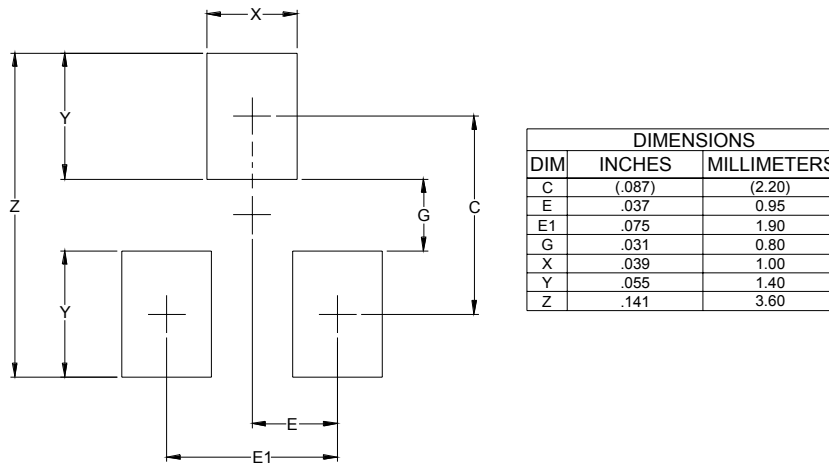


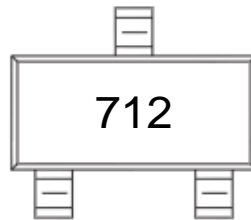
Fig3. Power Derating Curve



Outline Drawing - SOT23



Marking



Ordering information

Order code	Package	Base qty	Delivery mode
PSM712-LF-T7	SOT-23	3000	Tape and reel